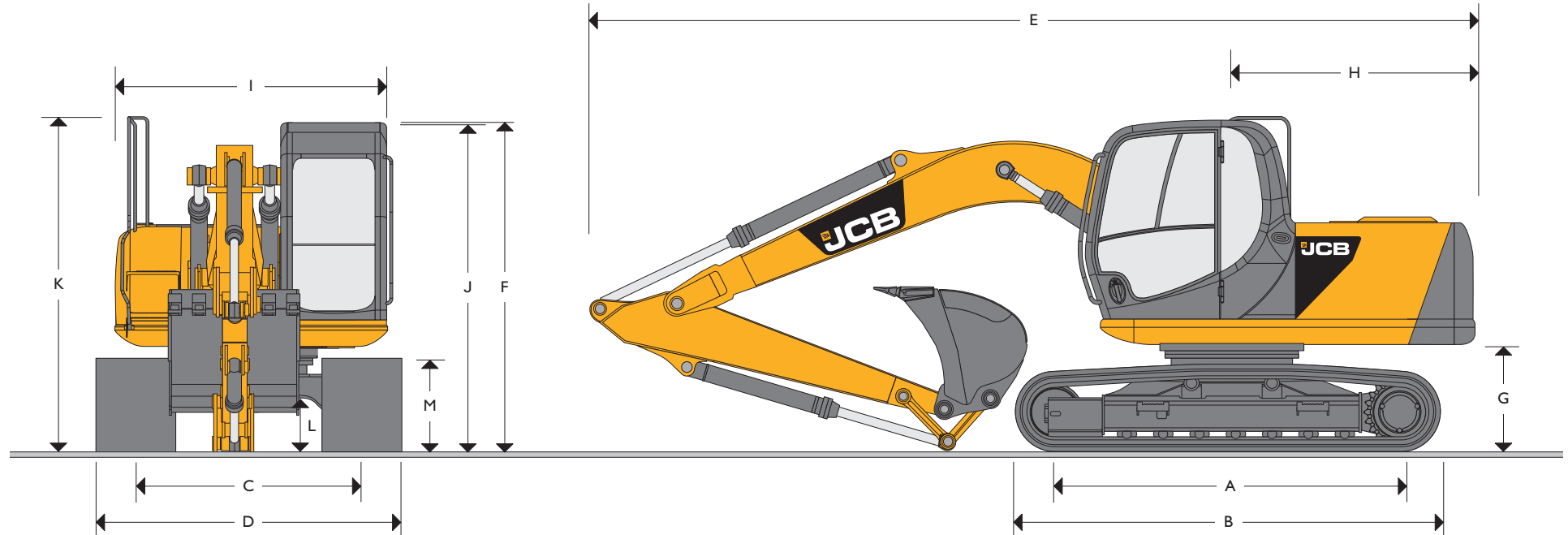




MAX. OPERATING WEIGHT: 13428 kg (29604 lb) MAX. ENGINE POWER: 74 kW (99.5 hp)



### STATIC DIMENSIONS

Dimensions in millimetres (ft-in)		Dimensions in millimetres (ft-in)				
A	Track length on ground	2865 (9-5)	G *Counterweight clearance	905 (3-0)		
B	Undercarriage overall length	3605 (11-10)	H	Tail swing radius	2050 (6-9)	
C	Track gauge	1990 (6-6)	I	Width of superstructure	2410 (7-11)	
D	Width over tracks (500mm trackshoes)	2490 (8-2)	J	*Height over cab	2845 (9-4)	
D	Width over tracks (600mm trackshoes)	2590 (8-6)	K	*Height over grab rail	2867 (9-5)	
D	Width over tracks (700mm trackshoes)	2690 (8-10)	L	*Ground clearance	425 (1-5)	
<b>Dipper lengths</b>		<b>2.5m (8ft 2in)</b>	<b>3.0m* (9ft 10in)</b>	M	Track height	811 (2-8)
E	Transport length with Monoboam	7620 (25-0)	7572 (24-10)			
F	*Transport height with Monoboam	2867 (9-5)	3289 (10-9)			

\*Machine in transport position



## ENGINE

<b>Model</b>	JCB Dieselmex 444 TCA 74 Eu Stage IIIA, EPA Tier 3 compliant.
<b>Type</b>	Water cooled, 4-stroke, 4-cylinder in-line, common rail direct injection, turbocharged intercooled diesel.
<b>Rated power (ISO 14899 (SAE J1995))</b>	74.2kW (99.5hp) at 2200rpm.
<b>Piston Displacement</b>	4.399 litres (1.16 UK gal).
<b>Injection</b>	Electronic governor.
<b>Air Filtration</b>	Dry element with secondary safety element and in cab warning indicator.
<b>Cooling</b>	Large capacity radiator.
<b>Starting system</b>	24 volt – 4kW.
<b>Batteries</b>	2 x 12 volt.
<b>Alternator</b>	24 volt 55 amp.
<b>Refuelling pump</b>	Electric type.

## SWING SYSTEM

<b>Swing motor</b>	Axial piston type.
<b>Swing brake</b>	Hydraulic braking plus automatic spring applied disc type parking brake.
<b>Final drive</b>	Planetary reduction.
<b>Swing speed</b>	12.8 rpm.
<b>Swing gear</b>	Large diameter, internally toothed fully sealed grease bath lubricated.
<b>Swing lock</b>	Multi position switchable brake.

## UNDERCARRIAGE

<b>Construction</b>	Fully welded, "X" frame type with central bellyguarding and sloping sidemembers with dirt relief holes under top rollers.	
<b>Recovery point</b>	Front and rear.	
<b>Upper &amp; lower rollers</b>	Heat treated, sealed and lubricated.	
<b>Track adjustment</b>	Grease cylinder type.	
<b>Track type</b>	Sealed and lubricated.	
<b>Track idler</b>	Sealed and lubricated, with spring cushioned recoil.	
<b>Track shoes</b>	500mm (20in.) triple grouser	600mm (24in.) triple grouser
		700mm (28in.) triple grouser
<b>Rollers and Shoes (each side)</b>	Upper rollers	2
	Lower rollers	7
	Track shoes	44

## HYDRAULIC SYSTEM

A variable flow load sensing system with flow on demand, variable power output and servo operated, multi-function open centre control. Machine auto warm up standard – maximises performance in cold conditions.

## Pumps

<b>Main pumps</b>	2 variable displacement axial piston type.
<b>Maximum flow</b>	2 x 131 L/min (2 x 29 UK gpm).
<b>Servo pump</b>	Gear type.
<b>Maximum flow</b>	18 L/min (4 UK gpm).

## Control valve

A combined four and five spool control valve with auxiliary service spool as standard. When required twin pump flow is combined to boom, dipper and bucket services for greater speed and efficiency.

## Relief valve settings

<b>Boom/Arm/Bucket</b>	318 bar (4610lb/sq.in)
<b>With power boost</b>	343 bar (4975lb/sq.in)
<b>Swing circuit</b>	279 bar (4045lb/sq.in)
<b>Travel circuit</b>	343 bar (4975lb/sq.in)
<b>Pilot control</b>	40 bar (569lb/sq.in)

A separate Cushion Control valve in the servo system provides cushioning of the boom and dipper spools selection and quick warm-up of the servo system.

## Hydraulic cylinders

Double acting type, with bolt-up end caps and hardened steel bearing bushes. End cushioning is fitted as standard on boom, dipper and bucket rams.

Optional hose burst check valves available for boom and dipper rams.

## Filtration

The hydraulic components are protected by the highest standard of filtration to ensure long hydraulic fluid and component life.

<b>In tank</b>	150 micron, suction strainer.
<b>Main return line</b>	10 micron, fibreform element.
<b>Plexus Bypass line</b>	1.5 micron, paper element.
<b>Pilot line</b>	10 micron, paper element.
<b>Hydraulic hammer return</b>	10 micron, reinforced microform element.

## Cooling

Worldwide cooling is provided as part of a single face cooling pack, in conjunction with the engine water cooler.

## TRACK DRIVE

<b>Type</b>	Fully hydrostatic, three speed with autoshift between high and medium speed.
<b>Travel motors</b>	Variable swash axial piston type, fully guarded within undercarriage frame.
<b>Final drive</b>	Planetary reduction, bolt-on sprockets.
<b>Service brake</b>	Hydraulic counter balance valve to prevent overspeeding on gradients.
<b>Park brake</b>	Disc type, spring applied, automatic hydraulic release.
<b>Gradeability</b>	70% (35 deg) continuous.
<b>Travel speed</b>	High – 5.2 km/h (3.22 mph). Mid – 3.1 km/h (1.93 mph). Low – 2.6 km/h (1.62 mph).
<b>Tractive effort</b>	128kN (28800 lbf).



## EXCAVATOR END

Monoboam available along with a choice of dipper lengths to suit the requirements of reach, dig-depth, loadover height, tearouts and site versatility. Reserve strength is built into the fully welded structures for hydraulic hammer and other arduous operations. Fabricated bucket tipping links are provided with a choice of lift points. Strong, durable construction, large cross sections and multi plate fabrications to withstand high stress applications. The 4.7m (15ft 5in) boom is designed to ensure the optimum digging envelope when matched with the three dipper lengths. Low maintenance bronze alloy bushes with graphite plugs are fitted to boom base and boom to dipper pivots resulting in 1000 hour greasing intervals at these points.

## CAB

Excellent digging, loading and positioning visibility results from the careful design of front, side and roof lights. All screens are tinted to improve in cab conditions. Fully opening front screen is very smooth to operate and as the lower screen is stored within the top screen frame it makes complete front screen opening easy, fast and convenient. Fresh air ventilation available from opening door window, opening slot in front screen and fully opening front screen. Parallelogram wash wiper for upper screen ensuring good wiped area for maximum visibility. Wiper motor is fitted in the left hand side of the roof screen so as not to affect bucket visibility when loading. Optional lower screen wiper available. Fresh air ventilation and heater with windscreen demister. Infinitely variable blower speed, temperature and recirculation control with optional climate control. Fully adjustable deluxe suspension seat with arm rest adjustment and backrest recline. Optional radio with digital tuner fitted into the roof lining for maximum protection. Conveniently placed radio mute button incorporated into lower console. 12v power point and mobile phone holder built into the right hand console. Courtesy light can be operated from ground level and is illuminated for five minutes or until switched off improving operator access at night. Cab mounted roller blind protects operator from suns' glare through front or top screens.

## AMS – ADVANCED MANAGEMENT SYSTEM

Four selectable working modes link the operators control movements with the engine and hydraulic systems to maximise productivity and efficiency.

<b>A (Auto)</b>	Up to 100% engine power and 100% flow. Gives variable power and speed depending on the operator's input, matching the demand for output and efficiency to the job. Power boost is automatically activated in this mode should hard conditions be encountered. Auto idle cuts in after a period of inactivity (between 5 and 30 seconds as set by the operator)
<b>E (Economy)</b>	80% engine power. 95% of hydraulic flow maximises economy while maintaining excellent output.
<b>P (Precision)</b>	55% engine power. 90% of hydraulic flow for fine control of grading operations.
<b>L (Lifting)</b>	55% engine power. 63% of hydraulic flow with permanent power boost for maximum lifting power and control.

The Auto mode allows the AMS processor to select the optimum operational performance to match the demands of the job while the three alternative modes give precise matching of application when specific tasks are undertaken.

The adjustable position monitor mounted on the front right hand pillar of the cab gives the operator a constant read out of mode, tracking range, operating temperature and a host of other information, while retaining excellent visibility of the monitor and the job being carried out.

The required flow for hammer applications can be set and stored in the AMS memory and is automatically activated whenever the hammer pedal is depressed.

A maintenance indicator warns of imminent service needs, and all servicing and basic checks can be carried out using only the in cab display.

## CONTROLS

<b>Excavator</b>	All servo lever operated to ISO control pattern, independently adjustable to the seat.
<b>Tracks</b>	Individually servo operated by foot pedal or hand lever. Speed selection via joystick button.
<b>Auxiliary</b>	Via servo operated foot pedal.
<b>Control isolation</b>	Via gate lock lever at cab entrance or panel switch.
<b>Engine speed</b>	Dial type throttle control plus servo lever mounted one-touch idle control or separate selectable auto-idle with adjustable time delay using AMS.
<b>Engine stop</b>	Ignition key operated and separate shut-down button.
<b>Horn</b>	Operated via servo lever mounted button.
<b>Optional blade control</b>	Independent lever in cab.

**SERVICE CAPACITIES**

	Litres	UK Gal
Fuel tank	253	55.6
Engine coolant	19.7	4.3
Engine oil	20.4	4.5
Swing reduction gear	2.2	0.5
Track reduction gear (each side)	3.5	0.7
Hydraulic system	124.0	27.3
Hydraulic tank	73.0	16.1

**WEIGHTS AND GROUND BEARING PRESSURES**

Machine equipped with 4.7m Monoboom, 2.5m Dipper, Standard Excavating Bucket, operator and full fuel tank.

Shoe Width	Operating Weight	Bearing Pressure
500mm (20in.)	13143kg (28975lb)	0.42kg/sq. cm. (5.97lb/sq. in.)
600mm (24in.)	13333kg (29341lb)	0.36kg/sq. cm. (5.12lb/sq. in.)
700mm (28in.)	13524kg (29815lb)	0.31 kg/sq. cm. (4.41 lb/sq. in.)

**STANDARD / OPTIONAL EQUIPMENT**

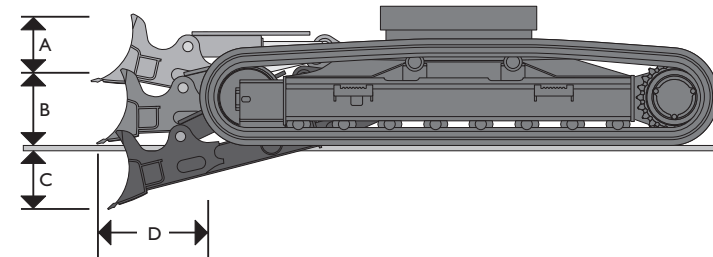
**Standard Equipment:** Engine fan guard; Cold start pre-heat; Auto engine warm up; Double element air cleaner; Heavy-duty alternator; Electrics isolator; Heavy-duty batteries; Cab & engine soundproofing; Cab heater & screen demister; Tinted glass; Interior light; Coat hook; Cigarette lighter; Ashtray; Operator's storage shelf with cargo net; Removable floor mat; Windscreen wash/wipe; Plug-in power socket; Automatic power boost; Auto-idle; One-touch engine speed control; Hydraulic cushion control; Plexus hydraulic oil filtration; HSP pressure test points; Auxiliary pipework mounting brackets; Work lights – boom & mainframe mounted; Undercarriage belly guarding; Upper structure under covers; Swing system cover; External mirrors; Handrail & non slip walk ways; Quick connect engine oil drain pipe; Front screen blind; Quick connect fuel tank drain pipe; Hinged engine under cover.

**Optional Equipment:** Hose burst check valves & overload warning system; Tipping link mounted lift points; General purpose buckets; Ditch/grading buckets; Quickhitch buckets; Hydraulic hammers; Auxiliary pipework (full and low flow); Climate control; Cab mounted & rear work lights; Rotating beacon; Rain guard; Biodegradable oil; Radio & cassette player; Air suspension seat with heated pad and lumbar support adjustment; Electric refuelling pump; Single track guide; Lower screen wiper; Radio; Hot and cold climate hydraulic oil; Engine air intake precleaners; Leveling; Stabilising blade; Various track plate widths, additional cab mounted work lights, FOPS guard cab protection, seat belt, cab mesh screen guard, fire extinguisher, cab vandal cover kit, travel alarm.

**BUCKET AND ARM COMBINATION**

JCB Bucket	No Q/Hitch Fitted		Q/Hitch Fitted	
	2.5m (8ft 2in)	3.0m (9ft 10in)	2.5m (8ft 2in)	3.0m (9ft 10in)
GP 500mm wide 0.235 cu.m (SAE heaped)	□	□	□	□
GP 600mm wide 0.315 cu.m (SAE heaped)	□	□	□	□
GP 700mm wide 0.39 cu.m (SAE heaped)	□	□	□	■
GP 750mm wide 0.43 cu.m (SAE heaped)	□	□	■	●
GP 800mm wide 0.47 cu.m (SAE heaped)	□	■	■	●
GP 900mm wide 0.55 cu.m (SAE heaped)	□	■	●	×
GP 1000mm wide 0.63 cu.m (SAE heaped)	□	●	●	×
GP 1100mm wide 0.715 cu.m (SAE heaped)	■	×	×	×
GP 1200mm wide 0.795 cu.m (SAE heaped)	■	×	×	×
GP 1300mm wide 0.88 cu.m (SAE heaped)	×	×	×	×

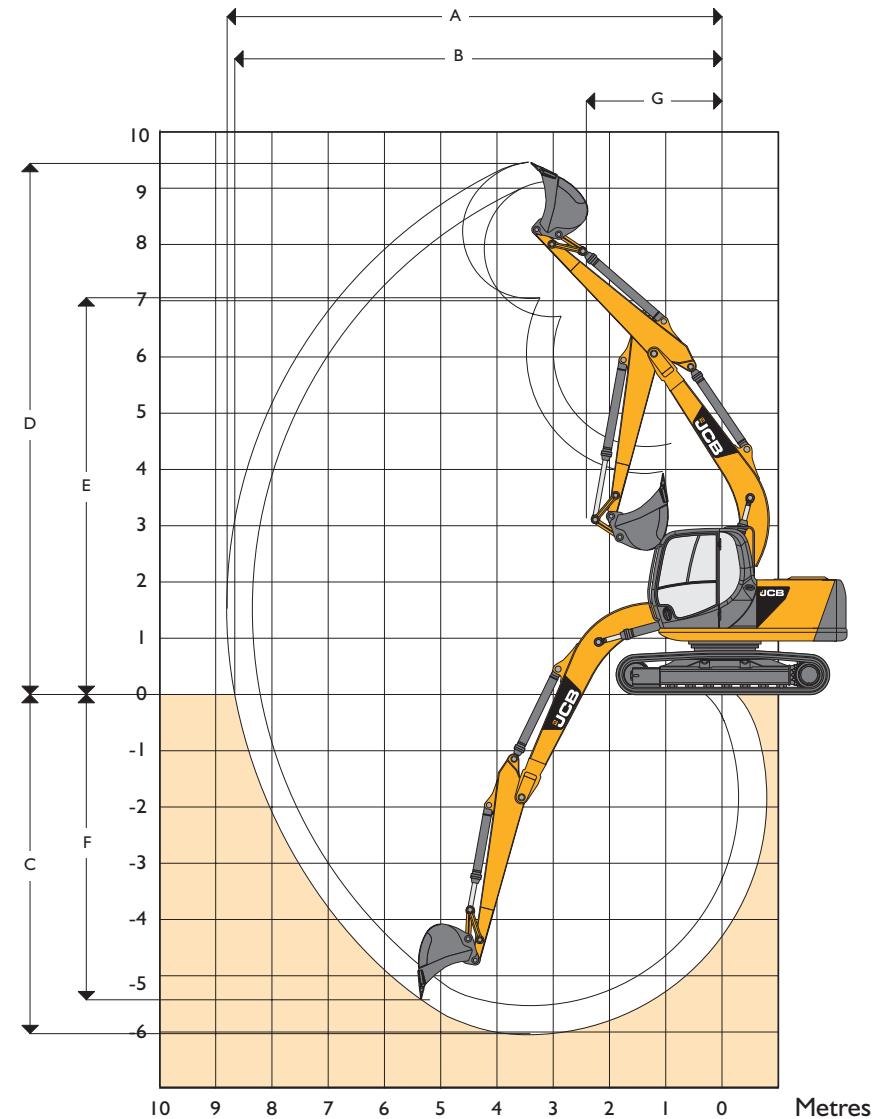
- = Suitable for General Excavating (Materials up to 2000kg/cu.m.)
  - = Suitable for Light Excavating (Materials up to 1600kg/cu.m.)
  - = Suitable for Grading & Loading Materials up to 1200kg/cu.m.
  - ×
- × = Not Warranted

**OPTIONAL BLADE**


<b>A</b> Blade height	mm (ft-in)	490 (1-7)
<b>B</b> Blade lift above ground	mm (ft-in)	405 (1-4)
<b>C</b> Blade cut below ground	mm (ft-in)	545 (1-9)
<b>D</b> Blade forward of track	mm (ft-in)	425 (1-5)
Dozer width – 500mm tracks	mm (ft-in)	2510 (8-3)
Dozer width – 600mm tracks	mm (ft-in)	2610 (8-7)
Dozer width – 700mm tracks	mm (ft-in)	2710 (8-11)
<b>Additional machine weight with blade</b>		
500mm tracks	kg (lb)	747 (1647)
600mm tracks	kg (lb)	753 (1660)
700mm tracks	kg (lb)	759 (1673)

## WORKING RANGE

Boom length: 4.70m (15ft 5in)		
Dipper length:		2.50m (8ft 2in)
A	Maximum digging reach	mm (ft-in) 8340 (27-4)
B	Maximum digging reach (on ground)	mm (ft-in) 8197 (26-11)
C	Maximum digging depth	mm (ft-in) 5530 (18-2)
D	Maximum digging height	mm (ft-in) 9118 (29-11)
E	Maximum dumping height	mm (ft-in) 6729 (22-1)
F	Maximum vertical wall cut depth	mm (ft-in) 3625 (11-11)
G	Minimum swing radius	mm (ft-in) 2231 (7-4)
	Bucket rotation	182°
	Maximum dipper tearout (ISO 6015)	kgf (lbf) 6680 (14720)
	Maximum bucket tearout (ISO 6015)	kgf (lbf) 9375 (20667)
Dipper length: 3.00m (9ft 10in)		
A	Maximum digging reach	mm (ft-in) 8796 (28-10)
B	Maximum digging reach (on ground)	mm (ft-in) 8660 (28-5)
C	Maximum digging depth	mm (ft-in) 6028 (19-9)
D	Maximum digging height	mm (ft-in) 9440 (30-11)
E	Maximum dumping height	mm (ft-in) 7041 (23-1)
F	Maximum vertical wall cut depth	mm (ft-in) 4050 (13-3)
G	Minimum swing radius	mm (ft-in) 2591 (8-6)
	Bucket rotation	182°
	Maximum dipper tearout (ISO 5016)	kgf (lbf) 5970 (13161)
	Maximum bucket tearout (ISO 5016)	kgf (lbf) 9375 (20667)



**LIFT CAPACITIES – Dipper Length: 2.50m, 4.70m Monoboom, Trackshoes: 500mm, No bucket.**
**JS130 LC MONO**

Reach	3m (9ft 10in)		4m (13ft 1in)		5m (16ft 5in)		6m (19ft 8in)		Capacity at Max Reach		
											mm
Load Point Ht.	kg	kg	kg	kg	kg	kg	kg	kg	kg	kg	mm
6.0m (19ft 8in)			2800*	2800*	3010*	3010*			2370*	2370*	5533
5.0m (16ft 5in)			2980*	2980*	3020*	3020*	3110*	2430	2240*	2240*	6221
4.0m (13ft 1in)	3860*	3860*	3490*	3490*	3270*	3210	3170*	2410	2190	2010	6689
3.0m (9ft 10in)	5400*	5400*	4250*	4250*	3680*	3110	3350	2360	2190*	1850	6982
2.0m (6ft 7in)	7130*	6310	5100*	4120	4150*	2990	2380	2290	2250*	1770	7121
1.0m (3ft 3in)	6370*	5990	5810*	3940	4200	3940	3210	2580	2360	1740	7116
0m	6830*	5860	5780	3820	4120	2810	3160	2180	2540*	1780	6967
- 1.0m (- 4ft 11in)	8630*	5820	5720	3770	4070	2760	3130	2160	2710	1880	6663
- 2.0m (- 6ft 7in)	8240*	5850	5720	3770	4060	2760	4140	2170	3020	2090	6181
- 3.0m (- 9ft 10in)	7460*	5930	5370*	3810	4100	2790			3620	2490	5474

**LIFT CAPACITIES – Dipper Length: 3.00m, 4.70m Monoboom, Trackshoes: 500mm, No bucket.**
**JS130 LC MONO**

Reach	3m (9ft 10in)		4m (13ft 1in)		5m (16ft 5in)		6m (19ft 8in)		Capacity at Max Reach		
											mm
Load Point Ht.	kg	kg	kg	kg	kg	kg	kg	kg	kg	kg	mm
6.0m (19ft 8in)					2540*	2540*	2520*	2460	2180*	2180*	6113
5.0m (16ft 5in)					2610*	2610*	2720*	2470	2070*	2010*	6741
4.0m (13ft 1in)			2960*	2960*	2890*	2890*	2840*	2430	2030*	1790	7175
3.0m (9ft 10in)	4460*	4460*	3710*	3710*	3310*	3140	3080*	2370	2040*	1660	7448
2.0m (6ft 7in)	6210*	6210*	4600*	4180	3820*	3010	3280	2290	2090*	1590	7578
1.0m (3ft 3in)	7640*	6060	5410*	3960	4210	2880	3200	2220	2190*	1570	7574
0m	7510*	5830	5770	3810	4100	2780	3140	2160	2300	1590	7434
- 1.0m (- 4ft 11in)	8610*	5740	5670	3720	4030	2720	3090	2120	2420	1670	7150
- 2.0m (- 6ft 7in)	8430*	5730	5640	3690	4000	2700	3080	2100	2650	1820	6704
- 3.0m (- 9ft 10in)	7880*	5780	5660	3710	4020	2710	3110	2130	3070*	2110	6060



Lift capacity front and rear.



Lift capacity full circle.

**Notes:**

1. For lifting capacity including bucket, subtract total weight of bucket or bucket and quickhitch from above values.
2. Lifting capacities are based on ISO 10567, that is: 75% of minimum tipping load or 87% of hydraulic lift capacity, whichever is the less. Lifting capacities marked\* are based on hydraulic capacity.
3. Lift capacities assume that the machine is on firm, level ground.
4. Lift capacities may be limited by local regulations. Please refer to your dealer.

**LIFT CAPACITIES – Dipper Length: 2.50m, 4.70m Monoboom, Trackshoes: 500mm, No bucket, Dozer.**
**JS130 LC MONO**

Reach	3m (9ft 10in)		4m (13ft 1in)		5m (16ft 5in)		6m (19ft 8in)		Capacity at Max Reach		
											mm
Load Point Ht.	kg	kg	kg	kg	kg	kg	kg	kg	kg	kg	mm
6.0m (19ft 8in)			2800*	2800*	3010*	3010*			2370*	2370*	5533
5.0m (16ft 5in)			2980*	2980*	3020*	3020*	3110*	2540	2240*	2240*	6221
4.0m (13ft 1in)	3860*	3860*	3490*	3490*	3270*	3270*	3170*	2520	2190*	2110	6689
3.0m (9ft 10in)	5400*	5400*	4250*	4250*	3680*	3250	3370*	2470	2190*	1940	6982
2.0m (6ft 7in)	7130*	6600	5100*	4310	4150*	3130	3560	2410	2250*	1860	7121
1.0m (3ft 3in)	6370*	6280	5810*	4130	4570	3030	3500	2350	2360*	1840	7116
0m	6830*	6140	6260	4010	4480	2950	3440	2300	2540*	1870	6967
- 1.0m (- 4ft 11in)	8630*	6110	6240	3960	4440	2900	3420	2270	2840*	1980	6663
- 2.0m (- 6ft 7in)	8240*	6140	6240	3960	4430	2900	3420	2280	3290	2200	6181
- 3.0m (- 9ft 10in)	7460*	6210	5370*	4000	4460*	2940			3850*	2620	5474

**LIFT CAPACITIES – Dipper Length: 3.00m, 4.70m Monoboom, Trackshoes: 500mm, No bucket, Dozer.**
**JS130 LC MONO**

Reach	3m (9ft 10in)		4m (13ft 1in)		5m (16ft 5in)		6m (19ft 8in)		Capacity at Max Reach		
											mm
Load Point Ht.	kg	kg	kg	kg	kg	kg	kg	kg	kg	kg	mm
6.0m (19ft 8in)					2540*	2540*	2520*	2520*	2180*	2180*	6113
5.0m (16ft 5in)					2610*	2610*	2720*	2580	2070*	2070*	6741
4.0m (13ft 1in)			2960*	2960*	2890*	2890*	2840*	2540	2030	1880	7175
3.0m (9ft 10in)	4460*	4460*	3710*	3710*	3310*	3280	3080*	2480	2040*	1750	7448
2.0m (6ft 7in)	6210*	6210*	4600*	4370	3820*	3150	3380*	2410	2090*	1680	7578
1.0m (3ft 3in)	7640*	6350	5410*	4150	4310*	3020	3490	2330	2190*	1650	7574
0m	7510*	6120	5990*	4000	4470	2930	3420	2270	2350*	1680	7434
- 1.0m (- 4ft 11in)	8610*	6030	6200*	3910	4400	2860	3380	2230	2590*	1760	7150
- 2.0m (- 6ft 7in)	8430*	6020	6160	3880	4370	2840	3360	2220	2890	1920	6704
- 3.0m (- 9ft 10in)	7880*	6070	5970*	3900	4380	2850			3350	2220	6060



Lift capacity front and rear.



Lift capacity full circle.

**Notes:**

1. For lifting capacity including bucket, subtract total weight of bucket or bucket and quickhitch from above values.
2. Lifting capacities are based on ISO 10567, that is: 75% of minimum tipping load or 87% of hydraulic lift capacity, whichever is the less. Lifting capacities marked\* are based on hydraulic capacity.
3. Lift capacities assume that the machine is on firm, level ground.
4. Lift capacities may be limited by local regulations. Please refer to your dealer.

## A GLOBAL COMMITMENT TO QUALITY

JCB's total commitment to its products and customers has helped it grow from a one-man business into Britain's largest privately owned manufacturer of backhoe loaders, crawler excavators, wheeled excavators, telescopic handlers, wheeled loaders, dump trucks, rough terrain fork lifts, industrial fork lifts, mini/midi excavators, skid steer loaders, tractors and compaction equipment.

By making constant and massive investments in the latest production technology, the JCB factories have become some of the most advanced in the world.

By leading the field in innovative research and design, extensive testing and stringent quality control, JCB machines have become renowned all over the world for performance, value and reliability.

And with a global sales and service network of more than 650 dealers and agents, we aim to deliver the best customer support in the industry.

Through setting the standards by which others are judged, JCB has become one of the world's most impressive success stories.

